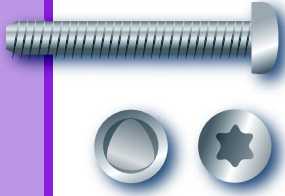


METRIC PAN 6 LOBE RECESS STEEL HI-TITE THREAD ROLLING SCREWS ZINC PLATED AND WAXED

DIN 7500



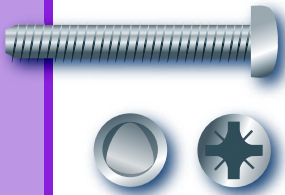
LENGTH	PRICE PER 1,000 EXCLUDING GST	PART NUMBER	Quantity Per Box
M3			
6	\$973	MSPTHZP36	1,000
8	\$917	MSPTHZP38	1,000
10	\$968	MSPTHZP310	1,000
12	\$1,019	MSPTHZP312	1,000
M4			
8	\$713	MSPTHZP48	1,000
10	\$757	MSPTHZP410	1,000
12	\$800	MSPTHZP412	1,000
16	\$830	MSPTHZP416	1,000
20	\$873	MSPTHZP420	1,000

LENGTH	PRICE PER 1,000 EXCLUDING GST	PART NUMBER	Quantity Per Box
M5			
10	\$859	MSPTHZP510	1,000
12	\$917	MSPTHZP512	1,000
16	\$1,004	MSPTHZP516	1,000
20	\$1,048	MSPTHZP520	1,000
M6			
10	\$1,260	MSPTHZP610	1,000
12	\$1,339	MSPTHZP612	1,000
16	\$1,426	MSPTHZP616	1,000
20	\$1,528	MSPTHZP620	1,000
30	\$1,770	MSPTHZP630	1,000

Each pack of 1,000 Pan 6 Lobe contains 1 ONLY (6 Lobe) Driver Bit.
For additional Driver Bits, refer page 17

METRIC PAN POZI STEEL HI-TITE THREAD ROLLING SCREWS ZINC PLATED AND WAXED

DIN 7500

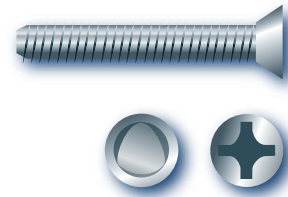


LENGTH	PRICE PER 1,000 EXCLUDING GST	PART NUMBER	Quantity Per Box
M3			
6	\$973	MSPZHYP36	1,000
8	\$917	MSPZHYP38	1,000
12	\$1,019	MSPZHYP312	1,000
M4			
8	\$713	MSPZHYP48	1,000
10	\$757	MSPZHYP410	1,000
12	\$800	MSPZHYP412	1,000
16	\$830	MSPZHYP416	1,000
20	\$873	MSPZHYP420	1,000

LENGTH	PRICE PER 1,000 EXCLUDING GST	PART NUMBER	Quantity Per Box
M5			
10	\$859	MSPZHYP510	1,000
12	\$917	MSPZHYP512	1,000
16	\$1,004	MSPZHYP516	1,000
20	\$1,048	MSPZHYP520	1,000
M6			
12	\$1,339	MSPZHYP612	1,000
16	\$1,426	MSPZHYP616	1,000
20	\$1,528	MSPZHYP620	1,000
25	\$1,688	MSPZHYP625	1,000

COUNTERSUNK PHILLIPS UNDERCUT STEEL HI-TITE THREAD ROLLING SCREWS ZINC PLATED AND WAXED

LENGTH	PRICE PER 1,000 EXCLUDING GST	PART NUMBER	Quantity Per Box
M5			
12	\$917	MSCUTZP512	1,000



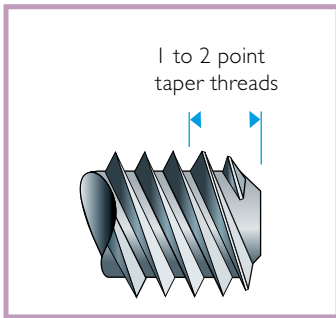
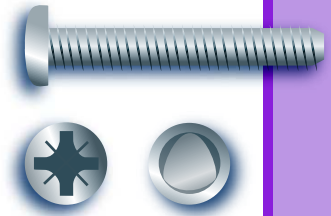
HI-TITE TRILOBULAR Thread Rolling Screws - Recommended pilot hole sizes for various METAL thicknesses

Nominal Size	Material thickness mm	Pilot hole mm	Drill size mm	Material thickness mm	Pilot hole mm	Drill size mm	Material thickness mm	Pilot hole mm	Drill size mm	Material thickness mm	Pilot hole mm	Drill size mm	Material thickness mm	Pilot hole mm	Drill size mm
M3 x 0.5	0.5 - 1.1	2.71	No 36 2.71	1.1 - 1.7	2.72	No 36 2.71	1.7 - 2.17	2.74	2.75	2.75 - 3.3	2.76	2.75	3.3 - 4.0	2.77	7/64" 2.78
M4 x 0.7	0.8 - 1.4	3.59	3.6	1.4 - 2.4	3.61	3.6	2.4 - 3.3	3.64	No 27 3.66	3.3 - 4.4	3.66	No 27 3.66	4.4 - 5.5	3.68	3.7
M5 x 0.8	1.0 - 2.1	4.53	4.5	2.1 - 2.9	4.56	No 15 4.57	2.9 - 4.4	4.58	No 15 4.57	4.4 - 5.9	4.61	4.6	5.9 - 7.1	4.6	No 14 4.62
M6 x 1	1.2 - 2.4	5.42	No 3 5.41	2.4 - 3.6	5.45	No 3 5.41	3.6 - 4.9	5.48	5.5	4.9 - 6.9	5.51	5.5	6.9 - 8.1	5.55	7/32" 5.56

LENGTH	PRICE PER 1,000 EXCLUDING GST	PART NUMBER	Quantity Per Box
M3			
6	\$973	MSPZPZP36	1,000
8	\$917	MSPZPZP38	1,000
10	\$968	MSPZPZP310	1,000
12	\$1,019	MSPZPZP312	1,000
M4			
8	\$713	MSPZPZP48	1,000
10	\$757	MSPZPZP410	1,000
12	\$800	MSPZPZP412	1,000
16	\$830	MSPZPZP416	1,000
20	\$873	MSPZPZP420	1,000

LENGTH	PRICE PER 1,000 EXCLUDING GST	PART NUMBER	Quantity Per Box
M5			
10	\$859	MSPZPZP510	1,000
12	\$917	MSPZPZP512	1,000
16	\$1,004	MSPZPZP516	1,000
20	\$1,048	MSPZPZP520	1,000
M6			
12	\$1,339	MSPZPZP612	1,000
16	\$1,426	MSPZPZP616	1,000
20	\$1,528	MSPZPZP620	1,000
25	\$1,688	MSPZPZP625	1,000

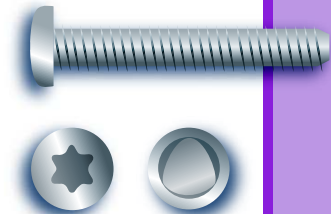
METRIC PAN POZI STEEL HI-PLAS THREAD ROLLING SCREWS
ZINC PLATED AND WAXED
DIN 7500



LENGTH	PRICE PER 1,000 EXCLUDING GST	PART NUMBER	Quantity Per Box
M4			
12	\$800	MSPTPZP412	1,000
M5			
20	\$1,048	MSPTPZP520	1,000

METRIC PAN 6 LOBE RECESS STEEL HI-PLAS THREAD ROLLING SCREWS
ZINC PLATED AND WAXED

Each pack of 1,000 Pan 6 Lobe contains 1 ONLY (6 Lobe) Driver Bit. For additional Driver Bits, refer page 17



HI-PLAS TRILOBULAR Thread Rolling Screws -
Recommended pilot hole sizes for various PLASTIC thicknesses

Nominal Size	MATERIAL THICKNESS							
	0.8	1.0	1.2	1.6	2.0	2.6	3.2	4.0
M3	2.50	2.50	2.50	2.50	2.60	2.60	2.60	2.60
M4	3.44	3.44	3.44	3.44	3.55	3.55	3.55	3.55
M5	4.37	4.37	4.37	4.37	4.45	4.45	4.45	4.45
M6	5.26	5.26	5.26	5.26	5.35	5.35	5.35	5.35