



# Spring Steel Fasteners

*GLOBAL ASSEMBLY SOLUTIONS*

Spring Steel  
**Fasteners**  
Spring Steel  
Fasteners

# Index

## Product Information

Page 2

## 'U' Type Nuts



Pages 3-6

## 'U' Type Nuts Retainers



Page 6

## 'J' Type Nuts



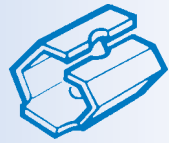
Pages 7-8

## Flat Nuts



Page 9

## Expansion Nuts



Page 10

## Prevailing Torque Nuts



Page 11

## Weld Nuts



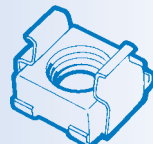
Page 12

## Angle Nuts



Page 13

## Cage Nuts



Page 14

## Knob Clips



Page 15

## Spring Latches



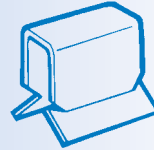
Page 16

## Push-on-Fixes



Pages 17-18

## Edge Clips



Page 19

## Hose Clips



Page 20

## Compression Rings



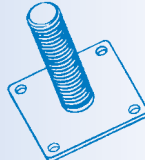
Page 21

## Captar<sup>®</sup> Nut Retainers



Page 22

## Plas-Studs



Page 23

## Special Parts

Page 24

### Please Note:

Technical details may change. Please contact P.S.M for latest drawings or specifications.

The products in this catalogue are subject to ordering conditions and minimum quantities.

## Product Information

### Recommended Installation Torque

All threaded spring steel fastenings are designed to suit AB type sheet Metal Screws to BS 4174 or certain I.S.O. Metric and Imperial sized machine screws. In many cases they are fully interchangeable with other thread types as indicated below.

- 2BA is interchangeable with 10 UNF
- 3/16 BSW is interchangeable with 10 UNC
- 1/4 BSW is interchangeable with 1/4 UNC
- 14 AB is interchangeable with 1/4 - 12 ACME
- 14 AB is equivalent to 6.3 Metric Sheet Metal Screws
- 16 AB is interchangeable with 5/16 x 10 ACME Sheet Metal Screws

The table should be used as a general guide only as the amount of tightening torque is dependent on the size or type of fastener. Approximately 50% higher torque can be obtained when using helical type thread forms and for heavy duty applications it is recommended that ACME screws are used.

It is important that fasteners are not overtightened as their holding power is solely dependent upon the spring tension of the fastening to effect thread locking.

RECOMMENDED INSTALLATION TORQUE					
Screw Size	lbs. ins	N.M.	Screw Size	lbs. ins	N.M.
4	6	0.68	10 UNC	11	1.24
6	12	1.35	10 UNF	7	0.79
8	18	2.03	6 BA	2	0.23
10	24	2.71	4 BA	4	0.46
12	30	3.39	2 BA	7	0.79
14	42	4.75	6 mm	16	1.81
1/4 ACME	50	5.65	4 mm	6	0.68
5/16 ACME	75	8.48	1/4 BSW	20	2.26
2 BA	7	0.79			
3/16 BSW	11	1.24			

### Protective Finishes

Below are listed finishes generally available, however some finishes may be subject to minimum order quantity.

Code	Description	Colour	Usage
00	Blue, oil dipped	Blue temper	Very light corrosive conditions
09	Phosphate, oil dipped	Dark grey	Light corrosive conditions
13	Chromate passivated electro plated zinc	Pale translucent yellow	Highly corrosive conditions
08	Phosphate & zinc chromate paint	Green	Highly corrosive conditions
10	Phosphate & zinc chromate paint	Black	Highly corrosive conditions
11	Plastic coating	Black	As required
14	Polyester	Various	As required
22	Polyseal	Black	Highly corrosive conditions
24	Dacromet	Silver	Highly corrosive conditions

## 'U' Type Nuts

P.S.M Canning Brett 'U'-Nuts offer substantial savings in manufacturing costs. They can be applied quickly and easily into self retaining position either over panel edges or to inside panel positions with most types providing a degree of float to allow for panel misalignment.



### Advantages

- No welding, staking or riveting
- Self retaining and floating
- Self locking and vibration proof
- Quick and easy to apply
- Lightweight
- Non-paint clogging

### Feature Code

- △ Prong type thread impression
- No panel locating tongue
- ▲ Earthing barbs
- + No lead on upper leg
- Reduced width on bend
- Helical thread impression



- + No lead on upper leg



- Reduced width on bend



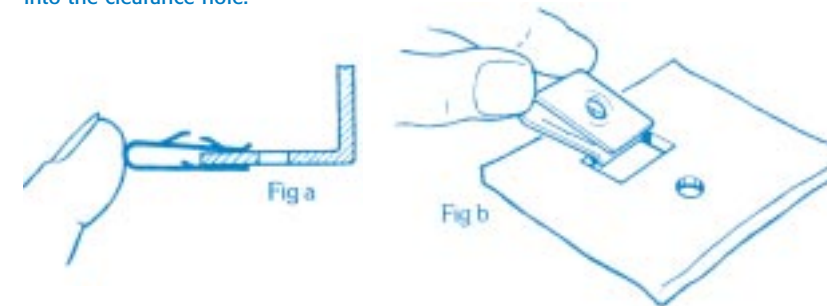
- No panel locating tongue



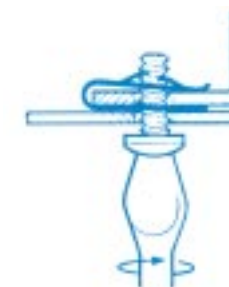
- Helical thread impression

### Method of Assembly

1. The P.S.M Canning Brett 'U'-Nut is placed over the edge of the panel (Fig a) or through a pre-stamped slot (Fig b) and simply pushed home until the rear of the fastener locates against the panel/slot edge or the extrusion snaps the fastener into the clearance hole.



2. Insert screw through plain hole of fastener and tighten to recommended torque.



## 'U' Type Nuts - CBUN series

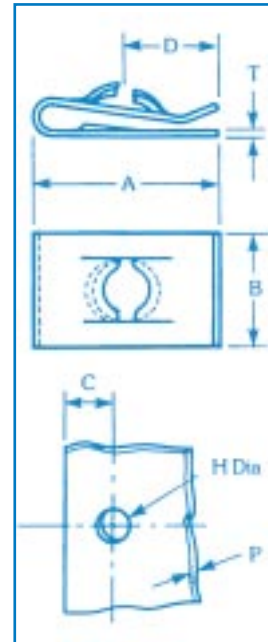
Part No.	Screw Size	A Length	B Width	C Panel Dim	D	T Thickness	H Panel Hole	Panel Range	Feature Code
0240	4	11.1	8.0	4.3	5.1	0.50	4.8	2.0 - 2.6	△
0238	4	11.1	8.0	4.8	5.1	0.50	4.8	0.71 - 1.2	△
0327	4	11.1	8.0	4.8	5.1	0.50	4.8	0.61 - 0.71	△
0331	6	11.1	8.0	4.0	4.7	0.50	5.2	2.1 - 2.3	●
0374	6	9.4	8.0	3.0	5.3	0.56	3.96	1.98 - 2.06	●
0253	6	9.5	8.0	3.3	4.8	0.50	4.0	1.98 - 2.06	●○
0243	6	9.5	8.0	3.5	4.8	0.50	4.0	0.91	●
0246	6	9.5	8.0	3.5	4.8	0.50	4.0	1.2	●
0344	6	9.5	8.0	4.0	4.7	0.50	4.0	2.0 - 2.2	●○
0330	6	11.1	8.0	4.0	4.7	0.50	5.2	1.45 - 1.82	●
0262	6	11.1	8.0	5.5	4.8	0.50	5.2	0.91 - 1.2	●
0254	6	11.7	8.0	5.5	4.8	0.50	5.2	0.91 - 1.2	●▲
0371	6	11.7	12.0	6.1	6.35	0.56	7.13	2.41	●+
0280	6	12.7	12.7	6.3	6.3	0.56	4.0	2.4 - 2.7	●○+
0370	6	13.3	12.7	6.3	6.3	0.56	5.54	2.16 - 2.41	●+
0211	6	13.3	11.1	6.7	10.7	0.56	5.95	2.54 - 2.8	△
0210	6	17.2	11.1	6.7	7.9	0.56	7.2	0.71 - 1.6	△
0310	6	16.7	11.1	6.7	7.9	0.56	7.2	0.71 - 1.6	●
0333	6	15.0	11.1	6.7	7.9	0.56	7.2	2.5 - 4.0	△
0982	6	11	11.1	6.7	7.9	0.56	5.96	0.71 - 1.63	△○
0360	6	11.7	8.0	7.0	8.0	0.50	4.0	2.5 - 3.0	●○
1197	6	11.0	8	4.0	4.8	0.50	4	3	●○
1018	6	10.3	8	5.6	4.8	0.60	5.2	0.91 - 1.2	●
0353	8	10.3	12.7	3.8	5.6	0.56	4.8	1.62 - 1.83	●○▲+
0354	8	11.9	11.1	3.8	5.6	0.56	4.8	0.71 - 91	●○▲+
0224	8	11.9	8.7	4.4	4.8	0.56	6.8	1.2 - 1.6	△+
0225	8	11.9	10.3	4.8	5.6	0.50	6.35	0.81 - 96	△+
0226	8	11.9	10.3	4.8	5.6	0.50	6.35	1.14	△+
0227	8	11.7	10.3	4.8	5.6	0.50	6.35	1.22	△+
0251	8	13.9	10.3	4.8	5.6	0.50	6.35	0.81 - 96	△+□
0366	8	13.9	8.0	5.5	4.8	0.50	6.5	0.91 - 1.2	●
0236	8	13.9	12.7	5.5	6.35	0.56	7.14	0.9 - 1.2	●
0244	8	13.9	12.7	5.5	5.35	0.56	7.14	0.55 - 1.0	●
0229	8	13.9	12.7	5.6	6.3	0.56	7.14	1.2 - 1.6	△
0230	8	13.9	12.7	5.6	6.3	0.56	7.14	0.56 - 1.2	△
0232	8	13.9	12.7	5.6	6.3	0.61	7.14	1.2 - 1.6	●
0235	8	13.9	12.7	5.6	6.3	0.56	7.14	0.56 - 1.2	●
0208	8	14.3	12.7	5.9	6.3	0.56	7.13	0.9 - 1.25	●△
0259	8	14.3	12.7	6.0	6.3	0.56	7.2	0.56 - 1.16	●▲
0281	8	14.3	12.7	6.0	6.3	0.56	7.2	0.56 - 1.6	●
1008	8	16.6	11.1	6.7	7.9	0.56	7.14	0.71 - 1.63	●○
0987	8	14.6	12.7	6.4	6.4	0.56	7.10	0.56 - 1.0	△
0206	8	16.0	11.1	6.7	7.9	0.56	6.36	4.32 - 4.82	△
0212	8	16.3	11.1	6.7	8.0	0.56	7.2	0.71 - 1.6	△
0242	8	16.3	11.1	6.7	8.0	0.56	7.2	2.03 - 2.80	△
0312	8	16.3	11.1	6.7	8.0	0.56	7.2	0.71 - 1.6	●
0213	8	17.4	11.1	6.7	8.0	0.56	7.2	2.5 - 4.0	△
0255	8	16.3	11.1	6.7	8.0	0.56	7.2	0.71 - 1.6	△▲
0267	8	17.1	11.1	6.3	8.0	0.56	6.35	3.2 - 3.6	△○
0257	8	16.5	11.1	7.13	8.0	0.56	6.35	0.5 - 1.78	●
0980	8	15.2	14.2	7.9	6.1	0.56	6.35	0.5 - 1.78	△
1196	8	13.5	9.3	7.0	4.8	0.60	6.00	2.25 - 3.0	●
0326	8	15.2	14.3	8.0	5.7	0.56	6.35	0.81 - 1.8	△
0277	8	17.8	11.1	8.0	8.0	0.56	7.1	0.71 - 1.6	△
0285	8	17.1	12.7	8.0	6.3	0.56	8.0	0.91 - 2.0	●▲
0367	8	19.0	12.0	8.0	8.6	0.56	7.1	3.0 - 4.0	△

### Material

CS60, CS70 carbon steel, austempered or Type 300 series stainless steel.

### When specifying please state:

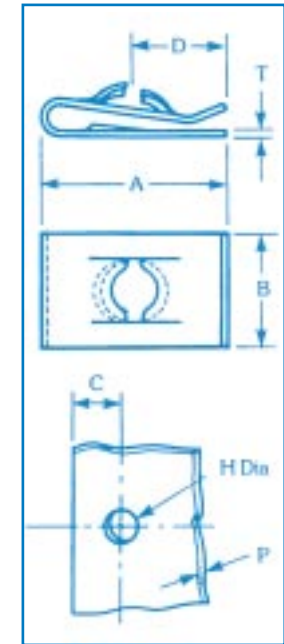
1. Quantity
2. Prefix (CBUN)
3. Part No.
4. Finish code  
e.g. 2000 CBUN-0212-13



Dimensions in millimetres

## 'U' Type Nuts - CBUN series

Part No.	Screw Size	A Length	B Width	C Panel Dim	D	T Thickness	H Panel Hole	Panel Range	Feature Code
0997	8	16.0	8.7	8.4	6.3	0.50	5.20	2.4	●○
0332	8	15.5	8.7	8.5	6.3	0.56	5.1	3.0 - 3.3	●○
0239	8	16.7	8.7	8.7	6.3	0.56	5.1	1.2 - 1.5	●○
0249	8	16.7	8.7	8.7	6.3	0.56	5.1	2.9 - 3.1	●○
0272	8	25.4	9.5	12.7	8.3	0.56	7.1	0.71 - 3.0	△
0394	8	16.5	11.1	8.3	7.7	0.56	7.14	2.3 - 2.5	△▲
0364	8	23.0	11.1	13.5	8.0	0.71	5.6	3.56 - 4.16	△○
0261	8	24.6	11.1	14.3	8.0	0.56	7.1	0.71 - 1.6	△
0393	8	23.3	11.1	14.5	7.5	0.56	7.4	0.75 - 1.0	●
0342	8	27.4	12.7	18.3	8.0	0.56	6.8	2.02 - 2.64	△○
1045	8	10.3	12.7	3.8	5.6	0.56	4.8	1.6 - 1.8	●○▲+
1021	8	10.5	8.7	4.3	4.8	0.6	6.8	1.2 - 1.6	△○+
1017	8	11.7	10.4	4.7	5.6	0.5	6.3	0.7 - 1.0	△+
1048	8	16.5	11.1	6.7	8	0.56	7.2	0.7 - 1.6	△▲○
1164	8	15.2	14.3	7.9	5.7	0.6	6.3	0.8 - 1.8	△
1069	8	19.8	12.7	8	9.5	0.56	8	0.7 - 2.5	●
1230	8	15.7	8.7	8.7	6.2	0.56	5.5	2 - 2.4	●○
0223	10	12.3	15.9	5.6	5.6	0.71	8.0	0.91 - 1.5	△
0252	10	12.3	15.9	5.6	5.6	0.71	8.0	0.91 - 2.0	△□
0218	10	19.8	12.7	7.9	9.53	0.71	7.94	0.91 - 2.03	△
0284	10	19.9	12.7	7.9	9.53	0.56	7.94	0.91 - 2.03	△
0214	10	19.9	12.7	8.0	9.5	0.71	8.0	0.91 - 2.0	△
0250	10	19.9	12.7	8.0	9.5	0.71	8.0	0.91 - 2.0	△□
0215	10	19.9	12.7	8.0	9.5	0.71	8.0	2.0 - 2.4	△
0217	10	19.9	12.7	8.0	9.5	0.71	8.0	0.91 - 2.0	△
0287	10	17.1	12.7	8.0	6.3	0.56	8.0	0.91 - 2.0	●▲
0294	10	19.9	12.7	8.0	9.5	0.71	8.0	0.91 - 2.0	●
0295	10	19.8	12.7	8.0	9.5	0.71	8.0	1.63 - 2.03	●▲
0296	10	19.9	12.7	8.0	9.5	0.71	8.0	1.63 - 2.03	●
0241	10	19.9	12.7	8.0	9.5	0.71	8.0	1.22 - 2.03	△□
0274	10	25.4	12.7	14.3	8.5	0.71	7.2	0.71 - 3.0	△
0992	10	30.7	12.7	18.8	9.6	0.71	8.1	0.71 - 1.0	△
1030	10	19.7	12.7	7.9	9.5	0.7	7.9	0.7 - 1.5	△□
1084	10	19.8	12.7	7.9	9.5	0.7	7.9	1.6 - 2	●○
0268	12	26.3	15.1	11.1	12.3	0.82	10.0	0.91 - 2.6	△
0297	12	23.6	15.1	12.7	9.2	0.91	9.5	0.91 - 2.6	●
0269	12	29.8	15.1	14.3	12.3	0.82	7.2	0.92 - 2.6	△○
1072	12	20.9	13	10	8.8	0.8	9.5	1.2 - 2.0	●
1226	12	21	15	9.5	10	0.9	9.5	5 - 6.5	●
0289	14	15.5	17.5	6.3	7.0	0.91	7.2	0.71 - 0.91	●○△
0339	14	15.5	17.5	6.9	7.0	0.91	7.0	0.7 - 0.9	●▲○
0337	14	22.6	16.0	10.3	10.4	0.91	8.7	0.7 - 0.9	●
0338	14	22.6	16.0	10.3	10.4	0.92	8.8	1.22 - 1.63	△
0266	14	27.0	14.3	12.7	12.3	0.91	11.1	0.61 - 1.9	●
0286	14	27.0	14.3	12.7	12.3	0.91	11.1	1.9 - 3.1	●
0260	14	27.0	15.9	13.5	11.5	0.91	11.1	0.91 - 1.2	●
1027	14	15.5	17.5	6.3	7	0.9	7	1.0 - 1.8	●▲○
1138	14	27	16	10.9	11.5	0.9	10	2.2 - 3.0	●
0335	M4	16.6	11.1	6.8	8.0	0.41	6.0	0.71 - 1.6	△
0205	M5	19.9	12.7	8.0	9.6	0.41	8.0	0.91 - 2.1	△
0376	M5	16.8	12.0	8.0	6.3	0.41	8.0	0.78 - 1.8	●
0349	M6	22.6	14.3	10.3	10.4	0.56	8.8	1.22 - 1.63	△
0305	M6	23.8	15.9	11.1	11.9	0.56	7.2	2.4 - 2.7	△○
0203	6BA	11.1	8.0	4.76	5.1	0.27	4.8	0.46 - 1.0	△
0216	2BA	19.9	12.7	8.0	9.6	0.41	8.0	0.91 - 2.1	△



Dimensions in millimetres

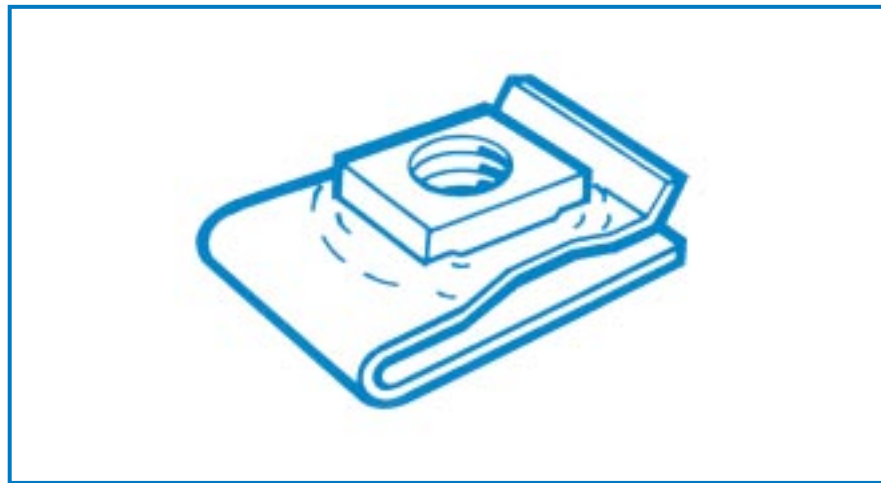
## 'U' Type Nuts - CBUN series

Part No.	Screw Size	A Length	B Width	C Panel Dim	D	T Thickness	H Panel Hole	Panel Range	Feature Code
0220	3/16 WHIT	19.9	12.7	8.0	9.6	0.56	8.0	0.91 - 2.1	△
0256	3/16 WHIT	17.1	12.7	8.0	6.3	0.56	8.0	0.91 - 2.1	●▲
0221	1/4 WHIT	25.0	15.9	10.3	11.9	0.56	10.3	0.91 - 2.7	△○
0258	3/16 WHIT	24.6	9.5	14.26	8.71	0.50	6.35	0.56 - 1.0	○△
1217	10-24 UNC	16.5	11.1	6.7	7.9	0.6	7.2	0.7 - 1.6	△
0247	5/16 ACME	27.0	15.9	12.7	11.1	1.1	11.1	2.0 - 2.7	△
0248	5/16 ACME	27.0	15.9	12.7	11.1	1.1	11.1	0.91 - 2.7	△

Dimensions in millimetres

## 'U' Nut Retainers - CBUR series

P.S.M Canning Brett 'U'-Nut retainers have been developed for use where extra high torque and holding power is required.



### Advantages

- High load bearing faces
- Enables high torque on machine screws
- Electro-plated finish not subject to embrittlement failure
- Removes need for expensive rivet bushes

### Material

carbon steel.

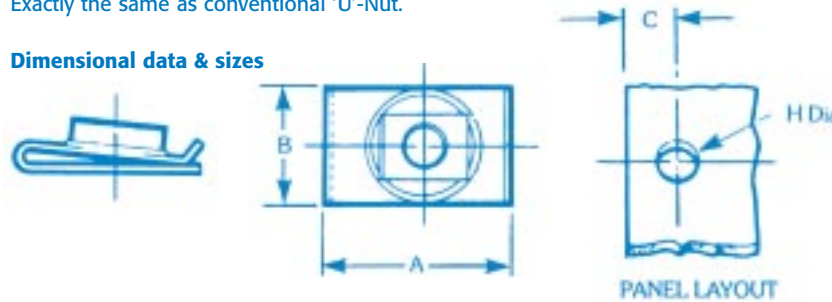
### When specifying please state:

1. Quantity
2. Prefix (CBUR)
3. Part No.
4. Finish code  
e.g. 1000 CBUR-0170-13

### Method of Assembly

Exactly the same as conventional 'U'-Nut.

### Dimensional data & sizes

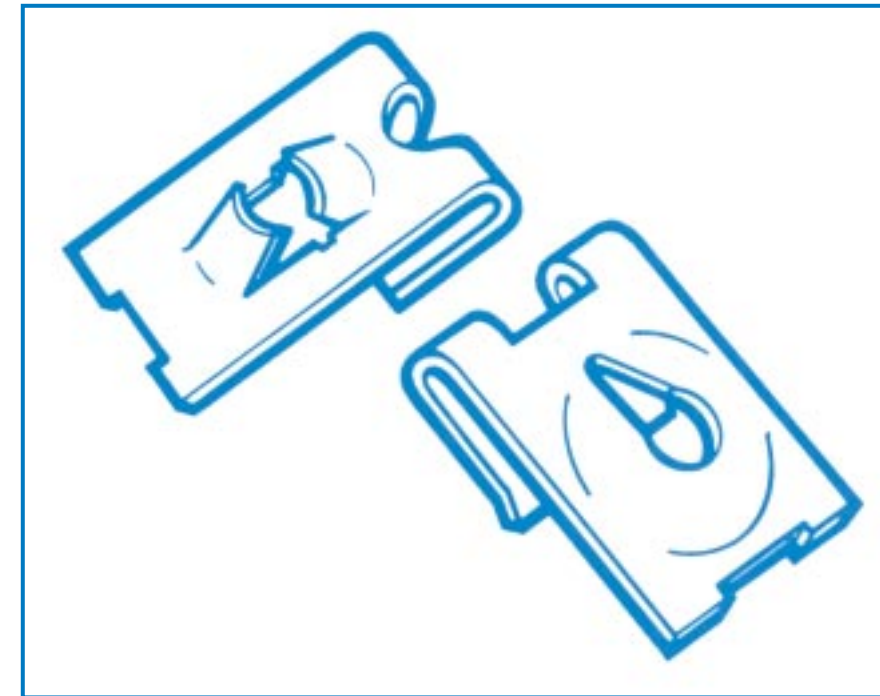


Part No.	Thread Size	A	B	C	H	Panel Range
0166	M5	26.2	15.9	11.1	9.5	0.71 - 1.62
0168	M6	26.2	15.9	11.1	9.5	0.71 - 1.62
0979	M6	26.0	15.9	11.1	9.5	2.0 - 2.2
0170	M8	31.8	17.5	15.1	12.7	0.71 - 1.62

Other thread sizes available on request.

## 'J' Type Nuts - General Description

P.S.M Canning Brett 'J' type nuts though carrying the same advantages as 'U' Nuts have a shorter lower arm, particularly useful where complete visibility of the mounting hole is required.

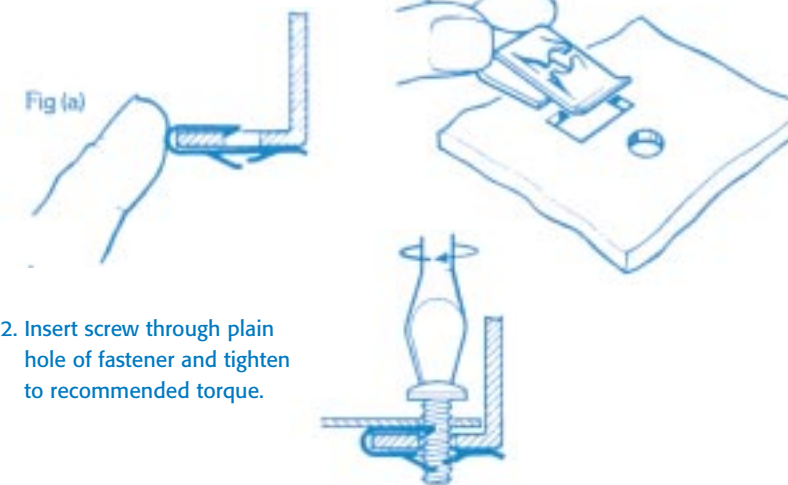


### Advantages

- All the benefits of the P.S.M Canning Brett 'U'-Nuts +
- Complete visibility of mounting hole
- No 'fouling' of panel corners in restricted dimensions

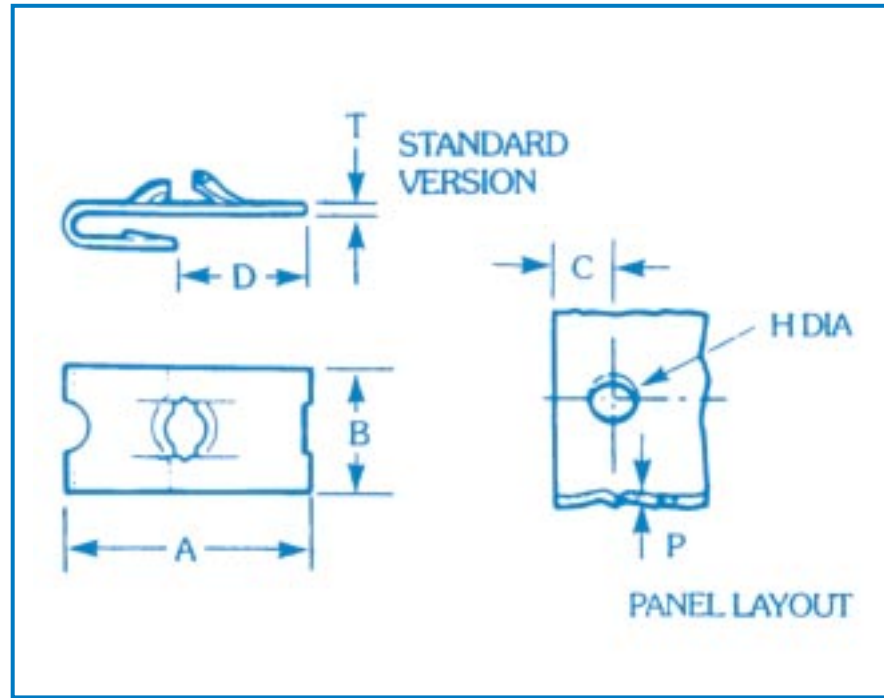
### Method of Assembly

1. The P.S.M Canning Brett 'J'-Nut is installed in exactly the same manner as the 'U'-Nut, except when as in Fig (a) the panel return shows the particular advantage of the 'J'-Nut.



2. Insert screw through plain hole of fastener and tighten to recommended torque.

## 'J' Type Nuts - CBJN series



### Material

CS60, CS70 carbon steel, austempered or Type 300 series stainless steel.

### When specifying please state:

1. Quantity
2. Prefix (CBJN)
3. Part No.
4. Finish code  
e.g. 2000 CBJN-0316-13

Part No.	Screw Size	A	B	C	D	H	T	Panel Range
0315	6	16.7	11.1	7.1	7.9	5.9	0.56	0.61 - 1.02
0314	6	16.7	11.1	7.1	7.9	5.9	0.56	1.22 - 1.62
0988	6	16.5	11.1	6.7	7.9	5.94	0.56	1.83 - 2.03
0316	8	16.7	11.1	7.1	7.9	7.1	0.61	0.71 - 1.22
0313	8	16.7	11.1	7.1	7.9	7.1	0.61	1.42 - 1.83
0341	10	15.9	17.5	7.1	7.1	8.0	0.71	0.81 - 1.0
0317	10	19.8	12.7	8.7	9.1	7.9	0.71	0.71 - 1.22
0343	10	19.8	12.7	8.7	9.1	7.9	0.71	1.42 - 2.03
0320	12	25.4	15.1	11.1	11.1	9.5	0.81	0.91 - 1.62
0347	12	25.4	15.1	11.1	11.1	9.5	0.81	1.83 - 2.64
0321*	14	24.6	14.3	11.9	11.1	9.5	0.81	0.71 - 1.22
0346	14	26.2	15.9	12.7	10.3	9.9	0.91	0.81 - 0.91
0322	1/4 ACME	17.7	19.0	8.0	7.6	8.74	0.91	0.91
0324	3/16 BSW	19.8	12.7	8.7	9.1	7.9	0.56	0.71 - 1.22
0318	1/4 ACME	26.2	15.9	12.7	10.3	9.9	0.91	0.91 - 1.62
0346	1/4 ACME	26.2	15.9	12.7	10.3	9.9	0.91	0.81 - 0.91

\* Denotes Helical Thread Impression  
1/4 ACME is interchangeable with a No. 14AB Screw.

## Flat Nuts - CBFN series

P.S.M Canning Brett 'Flat nuts' are one piece, heat treated, self-locking spring steel fasteners which provide the most inexpensive means of threaded fastening usually without the need for a spanner. They replace conventional threaded nuts and lock washers in low torque applications.



### Advantages

- One piece application
- No spanner usually required
- Vibration proof
- Self locking
- Non-paint clogging
- Re-usable

### Material

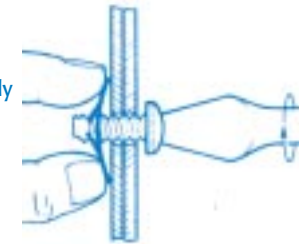
CS60, CS70 carbon steel, austempered.

### When specifying please state:

1. Quantity
2. Prefix (CBFN)
3. Part No.
4. Finish code  
e.g. 2500 CBFN-0410-0

### Method of Assembly

Hold fastener over the mounting hole in exactly the same manner as conventional nut and tighten screw up to recommended torque.



### Feature Code

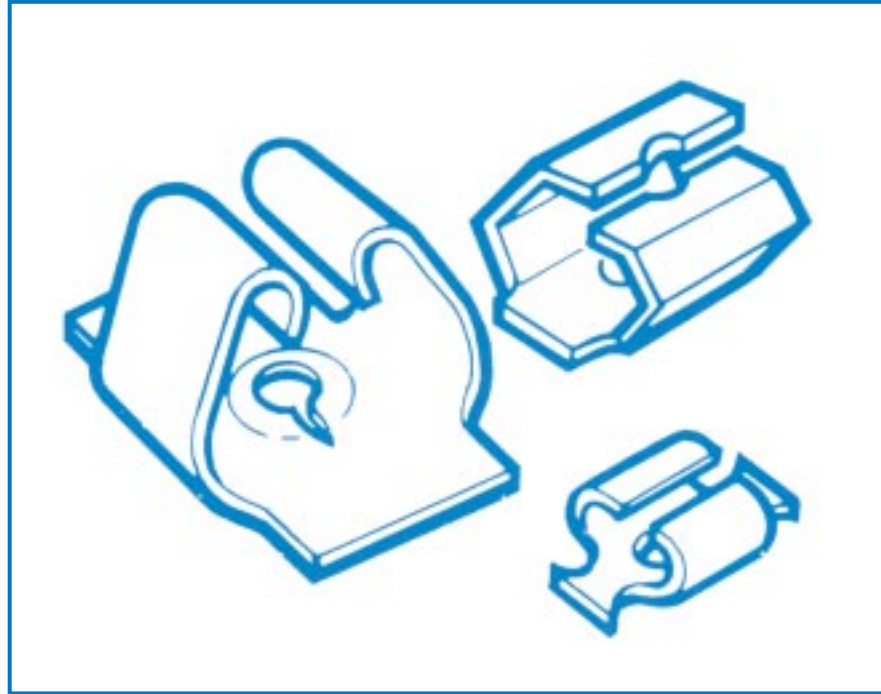
- Helical thread impression
- ▲ Earthing barb



Part No.	Screw Size	A Length	B Width	T Thickness	Feature Code	Type
0410	6	13.5	8.7	0.51		Rect
0421	8	15.9	9.5	0.61	▲	Rect
0411	8	15.1	9.5	0.61		Rect
0426	8	18.8 dia	-	0.61		Round
0412	10	16.7	10.3	0.71		Rect
0425	M4	13.5	8.7	0.41		Rect
0442	M5	15.9	9.5	0.51		Rect
0416	10	15.9	9.5	0.56	▲	Rect
0415	1/4 Whit	19.1	12.7	0.61		Rect
0427	1/4 Whit	48.0 dia	-	0.61		Round

## Expansion Nuts - CBEN series

P.S.M Canning Brett Expansion Nuts provide a secure vibration proof fastening to panels where access is only available from one side of the panel.



### Advantages

- Vibration proof
- One side panel access
- High pull out retention
- Non-paint clogging
- Re-usable
- Can be used in square or rectangular holes

### Material

CS60, CS70 carbon steel, austempered.

### When specifying please state:

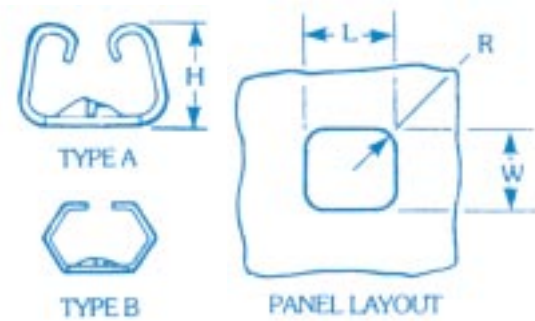
1. Quantity
2. Prefix (CBEN)
3. Part No.
4. Finish code  
e.g. 5000 CBEN-0264-13

### Method of Assembly

Push the expansion nut through either a square or rectangular hole in panel and simply tighten the screw down through the fastener.



### Dimensional data & sizes



Part No.	Screw Size	H	L	W	R	Panel Range	Type
0264	8	7.1	10.3	10.3	0.38	0.81 - 1	B
0278	8	9.0	12.7	8.75	3.2	0.91 - 1.22	A
0345	8	4.8	9.5	6.9	0.76	0.71 - 1.01	B
0293*	8	4.8	9.1	6.9	0.76	0.71 - 1.01	B

\* Denotes with earthing bars  
Dimensions in millimetres

## Prevailing Torque Nuts - CBTN series

P.S.M Canning Brett Prevailing torque nuts are a development on the standard U-Nuts for use in applications where high torque and/or extreme vibration is encountered.

### Method of Assembly

Exactly the same as conventional U-Nut.

### Advantages

- Higher installation torque than conventional U-Nuts
- High vibration resistance
- Screw will not loosen even in low torque applications
- Non-paint clogging
- Re-usable

### Material

CS50, CS60 carbon steel, austempered.

### When specifying please state:

1. Quantity
2. Prefix (CBTN)
3. Part No.
4. Finish code  
e.g. 4000 CBTN-0361-08



### Dimensional data & sizes

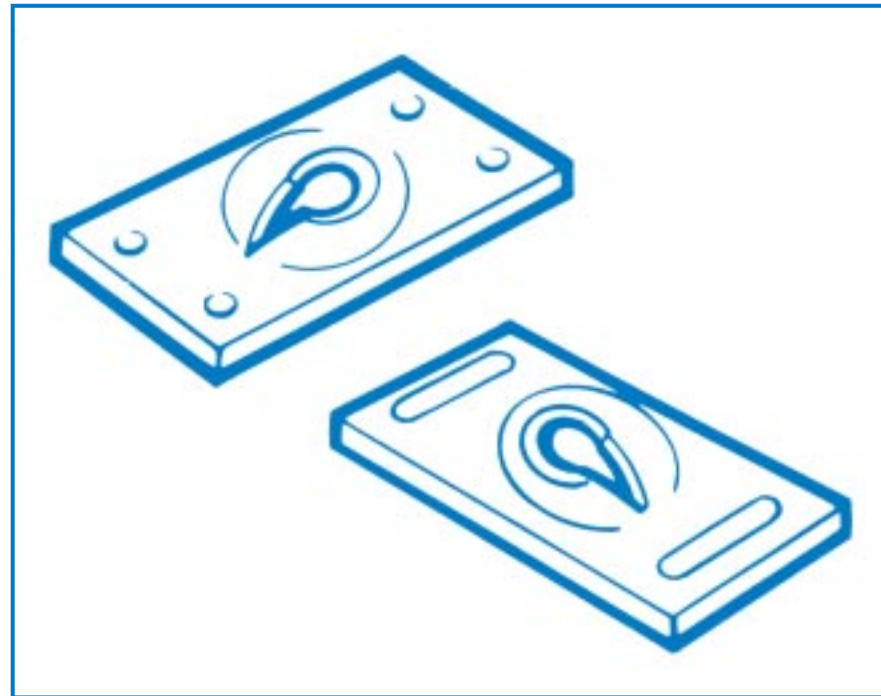


Part No.	Screw Size	A	B	C	D	H Dia	T	Panel Range
0350	8	16.7	11.1	6.7	7.9	7.1	0.56	0.71 - 1.62
0356	8	16.7	11.1	6.7	7.9	7.1	0.56	1.83 - 2.03
0391	8	16.7	11.1	6.7	7.9	7.1	0.56	3.00
0351	10	19.8	12.7	7.9	9.5	7.9	0.71	0.91 - 2.64
0359	10	19.8	12.7	7.9	9.5	7.9	0.71	2.0 - 3.0
0361	10	19.8	12.7	9.5	9.5	7.9	0.71	2.03 - 3.05
0352	12	23.8	17.0	11.1	12.4	9.9	0.81	0.91 - 2.64
0358	12	23.8	17.0	11.1	12.4	9.9	0.81	2.94 - 3.07

Dimensions in millimetres

## Weld Nuts - CBWN series

P.S.M Canning Brett Weld nuts provide a neat, strong fastening where a welded nut is desirable.



### Method of Assembly

Place fastener over panel hole and projection weld in the normal manner.

### Advantages

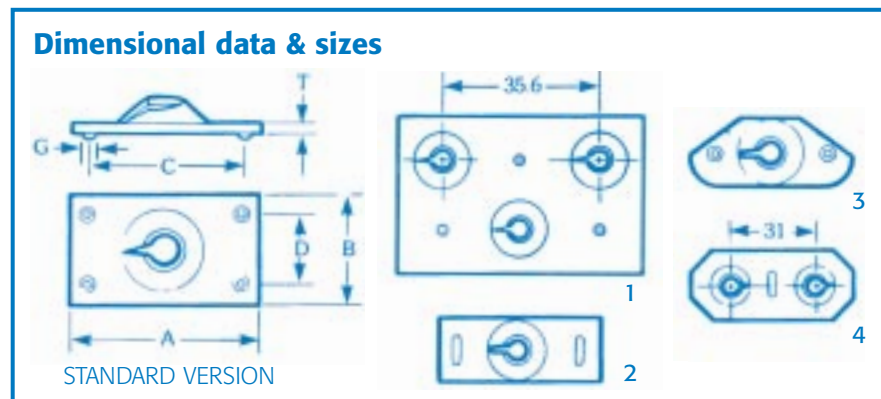
- Non paint clogging
- High strength
- Ideal for automated assembly
- Low cost

### Material

Mild steel

### When specifying please state:

1. Quantity
2. Prefix (CBWN)
3. Part No.
4. Finish code  
e.g. 1000 CBWN-0219



Part No.	Screw Size	A	B	C	D	G	T	Type
0329	10	41.4	14.3	-	-	-	1.22	-
0306	10	24.1	10.4	16.5	-	3.2	1.01	3
0237	10	28.2	12.7	20.3	4.8	2.5	1.01	2
0270	12	25.4	14.3	19.1	7.9	2.5	1.22	Standard
0219	14*	28.6	15.9	22.2	9.5	3.2	1.62	Standard
0302	14*	58.4	25.4	-	-	-	1.22	4
0336	14*	55.9	35.0	35.6	14.7	3.8	1.50	1

\* Denotes suitability for No 14 x 10 TPI Screws only (metric)  
Dimensions in millimetres

## Angle Nuts - CBAN series

Designed by P.S.M Canning Brett to provide a stand off threaded attachment for angled fastening requirements.



### Method of Assembly

Screw fastener to panel and bring leading edge of "panel for assembly" under returned edge of fastener, for a vibration proof, right angled fixing.

### Advantages

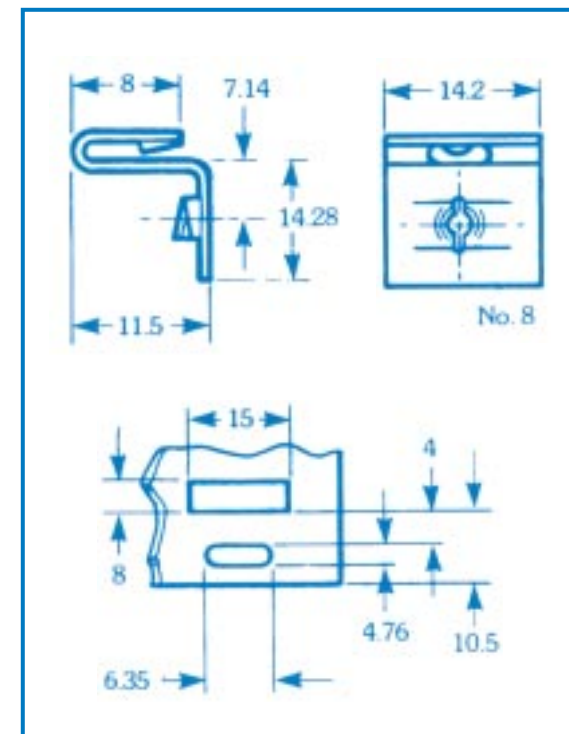
- Faster assembly
- Provides fixings for differing materials
- Low cost

### Material

CS60, CS70 carbon steel

### When specifying please state:

1. Quantity
2. Prefix (CBAN)
3. Part No.
4. Finish code  
e.g. 6000 CBAN-0308-13



Part No.	Screw Size	Panel Range
0355	4	0.70 - 1.0
0309	8	0.70 - 1.0
0308	8	1.17 - 1.42
0365	8	2.0

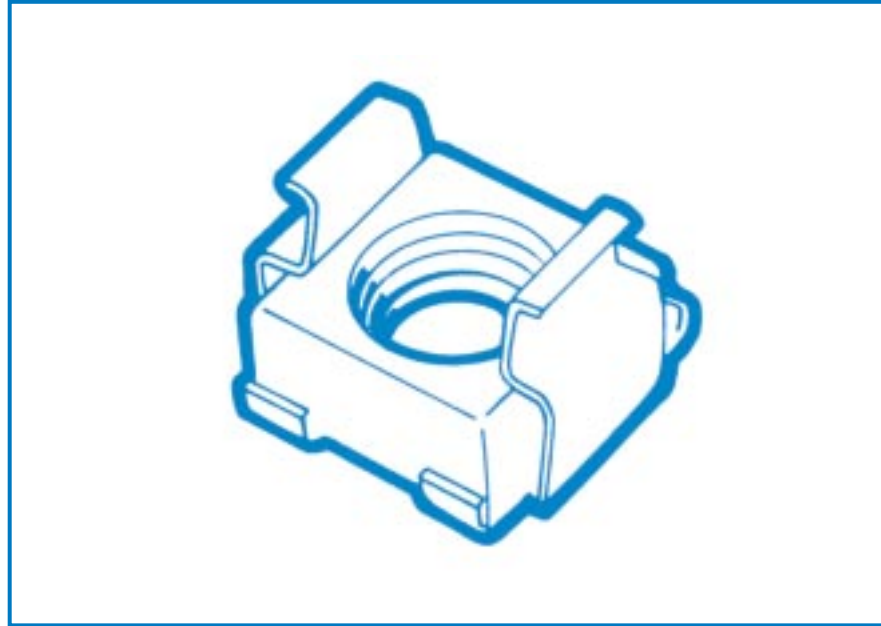
Dimensions in millimetres



## Cage Nuts - CN series

P.S.M Canning Brett now offer an increased range of cage nuts thereby eliminating the need for weld or clinch type nuts.

Note: Design may vary from that illustrated, but efficiency and functional ability will not be affected.



### Advantages

- Fast and easy to apply
- Self retaining
- High strength
- Blind fitting
- Low cost
- Can be installed after painting or stoving, so no clean-up problems

### Material

Cage - Carbon steel hardened, austempered  
Nut - Low carbon mild steel

### Finished Available:

**Code 00** -Blued, lanolin dipped  
**Code 13** -Electroplated, chromate passivated

### When specifying please state:

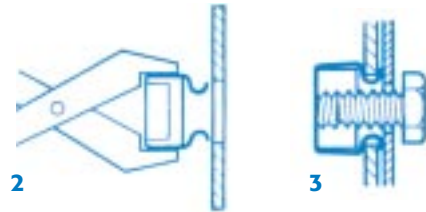
Simply quote part number and finish code required  
Example: CN-0147-00 denotes an M6 Cage Nut, lanolin dipped

### Method of Assembly

1. Pierce hole in panel as per dimensions shown in data sheet below

2. Grip ears of cage nut together with pliers or similar tool and insert through panel. Release ears to enable expansion to locating hole side.

3. After releasing ears cage nut is held firmly in locating hole by spring tension. Then simply screw bolt through panel into retaining nutl.



### Dimensional data & sizes

Hole Size 2		
A = To customer requirements. R = Radius		
	9.65	9.5
	R=1	R=1
Thread Size	Sheet thickness	Part No.
M4 x 0.7	0.71 - 1.62 1.83 - 2.64	CN-0126 CN-0127
M5 x 0.8	0.71 - 1.62 1.83 - 2.64	CN-0136 CN-0137
10 UNF	0.71 - 1.62 1.83 - 2.64	CN-0134 CN-0135
10 UNC	0.71 - 1.62 1.83 - 2.64	CN-0148 CN-0149
M6 x 1.0	0.71 - 1.62 1.83 - 2.64	CN-0146 CN-0147
1/4" UNC	0.71 - 1.62 1.83 - 2.64	CN-0140 CN-0141
1/4" UNF	0.71 - 1.62 1.83 - 2.64	CN-0138 CN-0139

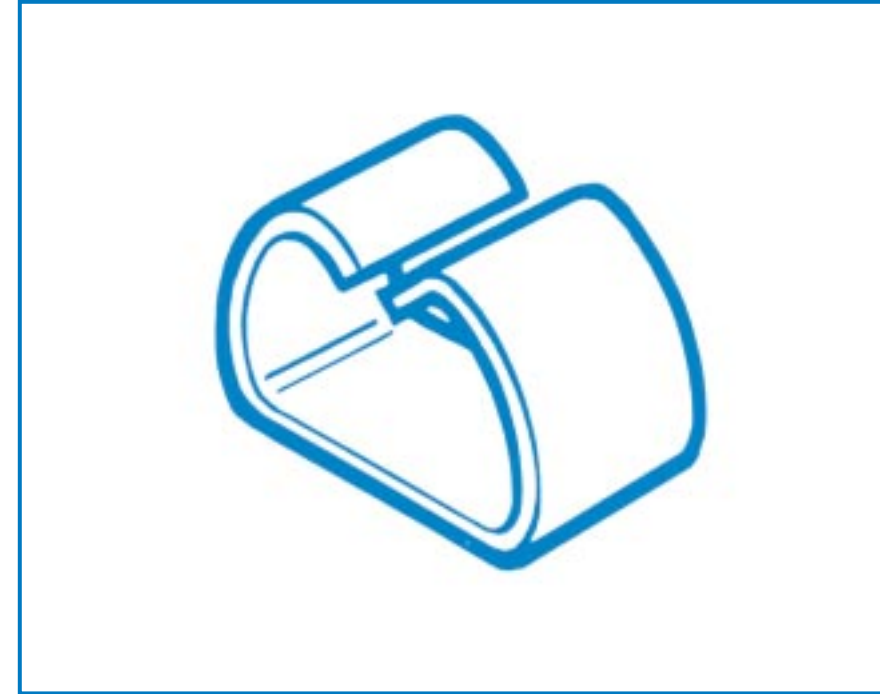
Hole Size 3		
A = To customer requirements. R = Radius		
	12.75	12.5
	R=1	R=1
Thread Size	Sheet thickness	Part No.
1/4" UNC	0.71 - 2.34 2.36 - 4.1	CN-3001 CN-3002
5/16" UNC	0.71 - 2.34 2.36 - 4.1	CN-3003 CN-3004
3/8" UNC	0.71 - 2.34 2.36 - 4.1	CN-3005 CN-3006
M8 x 1.25	0.71 - 2.34 2.36 - 4.1	CN-3184 CN-3185
M10 x 1.5	0.71 - 2.34 2.36 - 4.1	CN-3186 CN-3187

Imperial and other thread sizes available on request - subject to minimum order quantity

Hole Size 4		
A = To customer requirements. R = Radius		
	14.0	14.0
	R=1	R=1
Thread Size	Sheet thickness	Part No.
1/4" UNC	1.45 - 2.34 2.34 - 4.31 4.57 - 6.1	CN-4001 CN-4002 CN-4003
3/8" UNC	1.45 - 2.34 2.34 - 4.31 4.57 - 6.1	CN-4004 CN-4005 CN-4006
7/16" UNC	1.45 - 2.34 2.34 - 4.31 4.57 - 6.1	CN-4007 CN-4008 CN-4009
1/2" UNC	1.45 - 2.34 2.34 - 4.31 4.57 - 6.1	CN-4010 CN-4011 CN-4012
M12 x 1.75	1.45 - 2.34 2.34 - 4.31 4.57 - 6.1	CN-4013 CN-4014 CN-4015

## Knob Clips - CBKC series

P.S.M Canning Brett knob clips are a useful alternative to compression rings for the fitting of thermoplastic knobs. Details of the hub are shown in the dimensional data.



### Method of Application

Push knob clips over hub of knob, line up the flat of the clip with the flat of the shaft and simply push on.

### Advantages

- Low cost
- Replaces expensive inserts and grub screws
- Fast, easy assembly
- Holds firm
- Easy to remove for servicing

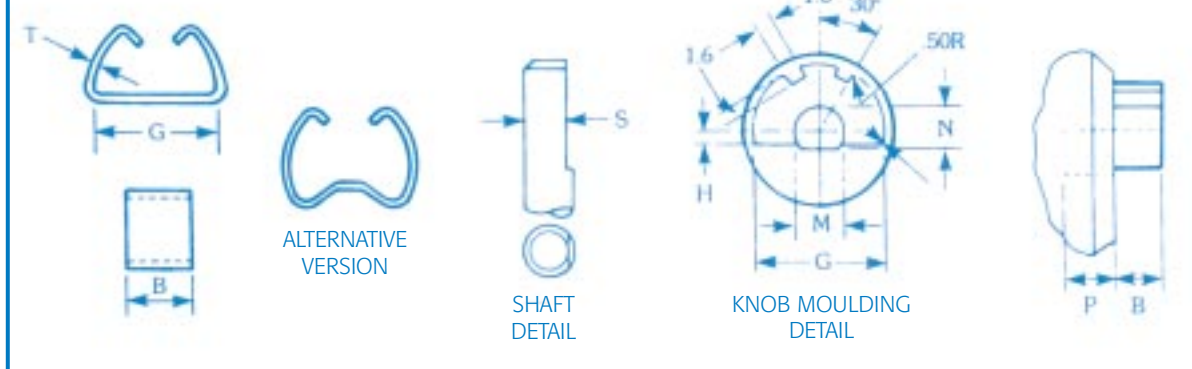
### Material

CS60, CS70 carbon steel.

### When specifying please state:

1. Quantity
2. Prefix (CBKC)
3. Part No.
4. Finish code  
e.g. 3000 CBKC-0111-00

### Dimensional data & sizes

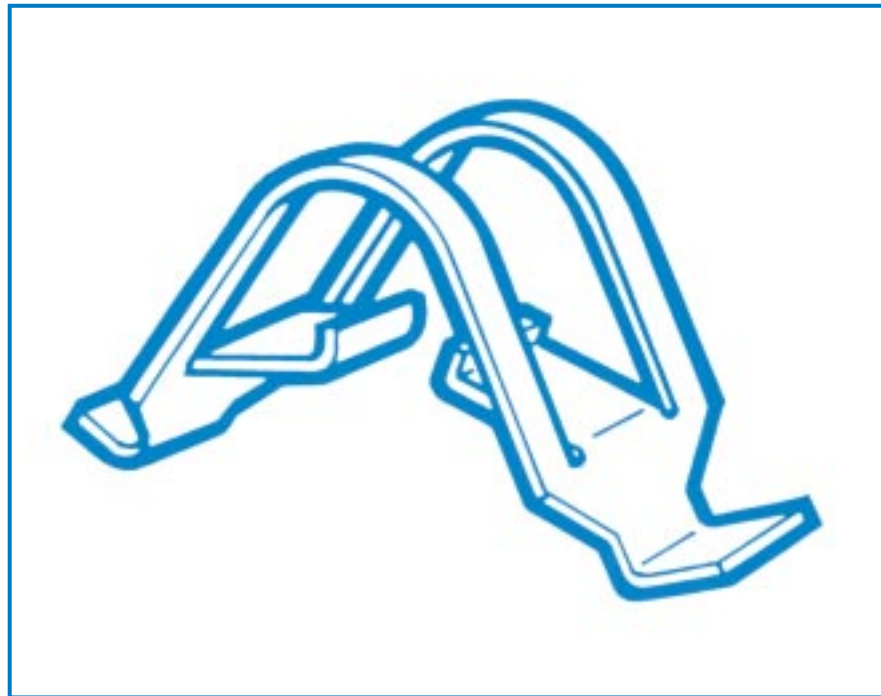


Part No.	Shaft Dia	T	B	G	H	M Dia	N	P	S
0115	4.8	0.51	4.8	12.7 - 12.8	1.4 - 1.5	4.8 - 4.9	4.3 - 4.5	4.8	4.2 - 4.3
0119*	4.8	0.40	4.8	12.7 - 12.8	1.4 - 1.5	4.8 - 4.9	4.3 - 4.5	4.8	4.2 - 4.3
0111	6.4	0.56	6.4	15.1 - 15.2	1.9 - 2.0	6.4 - 6.5	5.6 - 5.7	6.4	5.5 - 5.6
0114*	6.4	0.56	6.4	15.1 - 15.2	1.9 - 2.0	6.4 - 6.5	5.6 - 5.7	6.4	5.5 - 5.6

\* Denotes alternative version  
Dimensions in millimetres

## Spring Latches - CBSL series

P.S.M Canning Brett spring latches are a simple reliable means of fastening removable assemblies when used with stud or peg.



### Method of Assembly

Squeeze fastener together with fingers or hand tool and insert through pre-stamped hole, when released the spring latch opens firmly to sides of hole.

### Advantages

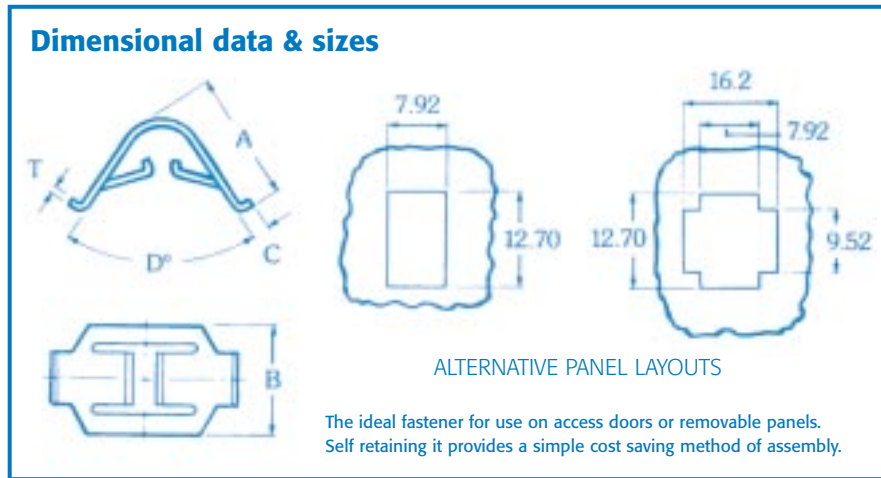
- Firm reliable grip
- Removes need for time-consuming screw fasteners
- Allows quick, easy access for inspection, repair purposes
- Assembled after finishing operations

### Material

CS60, CS70 carbon steel, austempered

### When specifying please state:

1. Quantity
2. Prefix (CBSL)
3. Part No.
4. Finish code  
e.g. 2000 CBSL-0872-13



Part No.	Panel Range	Approx. Pull Out Force	A	B	C	T	D°
0872	0.91 - 1.22	9.1 KG	18.0	16.0	3.0	0.56	40°
0873	0.91 - 1.22	2.7 KG	18.8	16.0	2.8	0.36	60°

Dimensions in millimetres

## Push-on-Fixes - General Description

The P.S.M Canning Brett Push-on-Fix is the most economical method of securely holding components in place over rivets, metal or plastic studs, tubes, nails or wire.

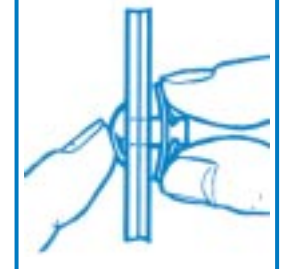


### Advantages

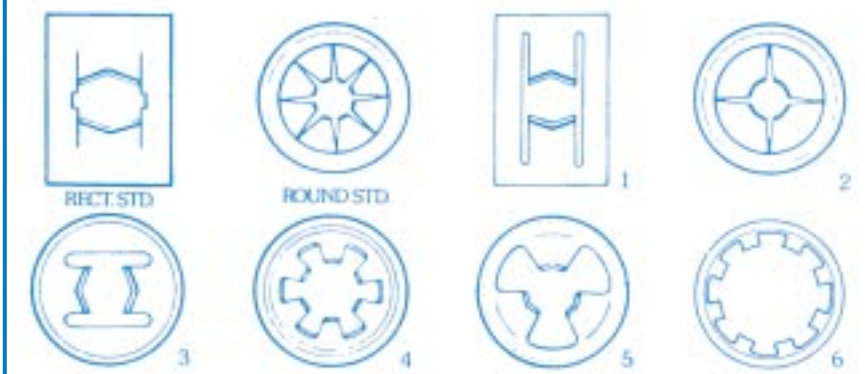
- Ultra low in-place cost due to rapid installation
- Eliminates threaded studs
- Reduces cost of mating part
- Will not loosen, vibration proof
- Once assembled, push-on fix must be destroyed to remove

### Method of Assembly

The Push-on fix is applied over the male mating part with a simple applicator. (This ensures correct alignment of fix to stud). When the body of the fix is pressed home and then released against the held component the arched prongs dig into the male stud, thus preventing a relaxation of pressure.



### Types available



Items shown are a selection of a wider range available

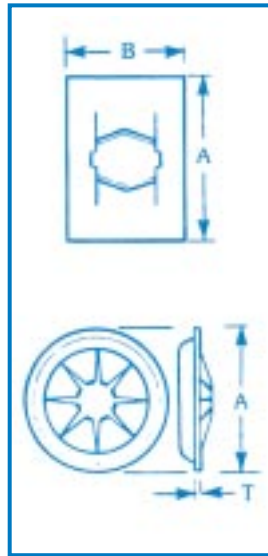
## Push-on-Fixes - CBPF series

### Material

CS70 carbon steel.

When specifying please state:

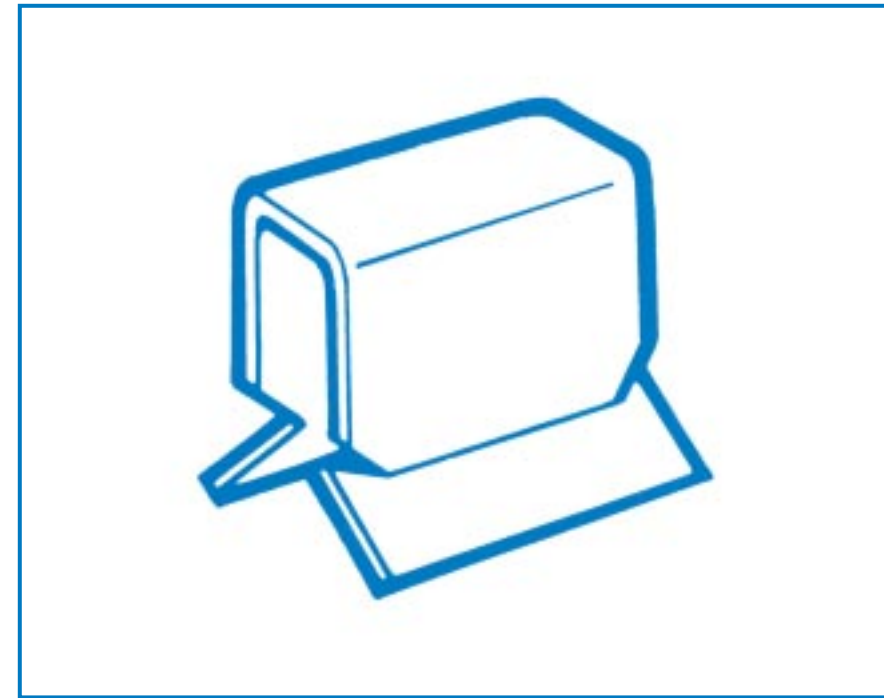
- Quantity
- Prefix (CBPF)
- Part No.
- Finish code  
e.g. 1500 CBPF-0627-13



Part No.	Nominal Stud Dia.	Stud Tolerance		A		B		T		Type See panel opposite	
		Inch	Metric	Inch	Metric	Inch	Metric	Inch	Metric		
0510	3/32"	0.091	2.31	0.437	11.11	.250	6.35	0.012	0.31	Rect. Std.	
0635		0.094	2.39	0.375	9.52	-	-	0.010	0.25	2	
0638	12 SWG	0.102	2.59	1.500	38.1	-	-	0.010	0.25	5 Large Dia.	
0641	3.00mm	0.115	2.92	1.500	38.1	-	-	0.010	0.25	5 Large Dia.	
0528		0.120	3.05	0.500	12.7	312	7.93	0.014	0.37	1	
0633		0.120	3.05	0.375	9.52	-	-	0.010	0.25	2	
0617	1/8"	0.122	3.10	0.530	13.46	-	-	0.010	0.25	Round Std.	
0511		0.126	3.20	0.375	9.52	-	-	0.014	0.37	2	
0634		0.126	3.20	0.375	9.52	-	-	0.014	0.25	3	
0627	10 SWG	0.126	3.20	1.500	38.1	-	-	0.010	0.25	5 Large Dia.	
0639		0.129	3.28	-	-	-	-	0.010	0.25	-	
0629		0.148"	0.146	3.71	0.375	9.52	-	-	0.014	0.25	3
0629	5/32" & 4.00mm	0.150	3.81	0.562	14.29	.375	9.52	0.010	0.37	Rect. Std.	
0512		0.153	3.89	0.450	11.43	-	-	0.015	0.25	Round Std.	
0600		0.157	3.99	0.709	18.00	.532	13.5	0.010	0.50	Rect. Std.	
0533	0.180	0.179	4.54	0.450	11.43	-	-	0.010	0.25	Round Std.	
0625		0.181	4.59	-	-	-	-	-	-	-	
0962		0.181	4.59	-	-	-	-	-	-	-	
0513	3/16"	0.184	4.67	0.625	15.87	.375	9.52	0.015	0.37	Rect. Std.	
0615		0.184	4.67	0.562	14.29	-	-	0.016	0.41	5	
0636		0.189	4.80	0.562	14.29	-	-	0.015	0.37	3	
0601		0.189	4.80	0.450	11.43	-	-	0.010	0.25	Round Std.	
0640		0.189	4.80	1.500	38.1	-	-	0.010	0.25	5 Large Dia.	
0529	5.00mm	0.194	4.93	0.625	15.87	.375	9.52	0.015	0.37	Rect. Std.	
0604		0.199	5.05	0.530	13.46	-	-	0.010	0.25	Round Std.	
1231		0.194	4.93	1.500	32.1	-	-	0.010	0.25	5 Large Dia.	
0619	0.228"	0.226	5.74	0.530	13.46	-	-	0.010	0.25	Round Std.	
0622	6.00mm	0.230	5.84	0.562	14.29	-	-	0.015	0.37	3	
0530		0.233	5.92	0.750	19.05	.500	12.70	0.016	0.41	Rect. Std.	
0602		0.238	6.04	0.530	13.46	-	-	0.010	0.25	Round Std.	
0642		0.238	6.04	1.500	38.1	-	-	0.010	0.25	5 Large Dia.	
1221	6.00mm	0.233	5.91	0.530	13.5	-	-	0.010	0.25	6	
0515	1/4"	0.246	6.25	0.750	19.05	.500	12.70	0.016	0.41	Rect. Std.	
0616		0.246	6.25	0.562	14.29	-	-	0.015	0.37	3	
0603		0.252	6.40	0.530	13.46	-	-	0.010	0.25	Round Std.	
0609		0.252	6.40	0.630	16.00	-	-	0.016	0.41	5	
0645	0.270"	0.252	6.40	1.500	38.1	-	-	0.010	0.25	5 Large Dia.	
0643		0.270"	0.270	6.86	1.500	38.1	-	-	0.010	0.25	5 Large Dia.
0626		0.277	7.00	0.562	14.29	-	-	0.020	0.51	4	
0605	9/32"	0.283	7.20	0.590	14.98	-	-	0.010	0.25	Round Std.	
0532		0.283	7.20	0.875	22.22	.625	15.87	0.016	0.41	1	
0606	5/16" & 8.00mm	0.309	7.90	0.590	14.98	-	-	0.010	0.25	Round Std.	
0618		0.315	8.05	0.600	15.24	-	-	0.015	0.41	4	
0644	14.2	0.315	8.05	1.500	38.1	-	-	0.010	0.25	5 Large Dia.	
1220		0.558	14.1	0.866	22.0	-	-	0.016	0.41	6	
		0.563	14.3								

## Edge Clips - CBEC series

P.S.M Canning Brett edge clips provide an inexpensive method of holding panels with a secure vibration free grip.



### Method of Assembly

Push the edge clip over the two edges that are required to be held together. The inner barbs on the fastener will prevent any separation.

### Advantages

- Eliminates holes and screws
- Resists vibration

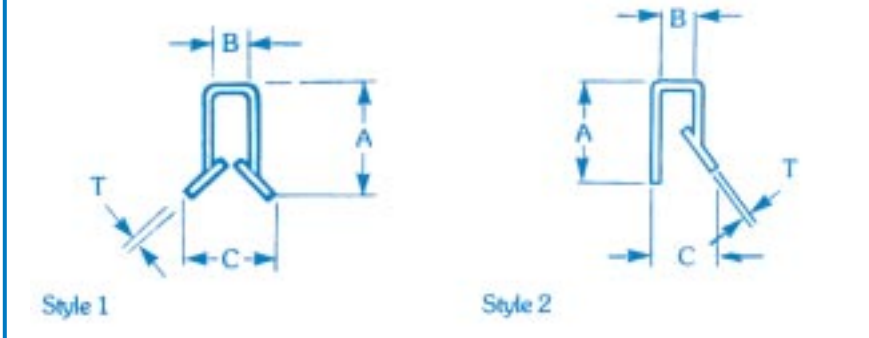
### Material

CS60, CS70 carbon steel, austempered

When specifying please state:

- Quantity
- Prefix (CBEC)
- Part No.
- Finish code  
e.g. 4000 CBEC-0761-13

### Dimensional data & sizes

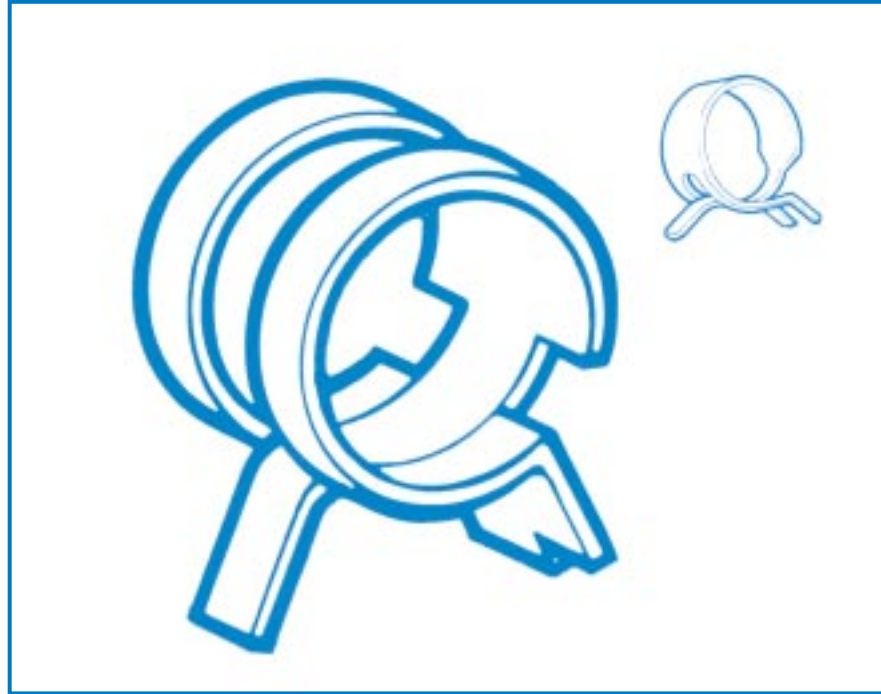


Part No.	A	B	C	T	Width	Panel Range	Style
0761	8.6	2.3	6.4	0.42	12.7	1.42 - 1.83	1
0766	7.4	2.3	5.0	0.42	12.7	1.42 - 1.83	1
0787	12.7	6.5	9.5	0.71	14.3	5.9 - 6.3	2
1216	10.7	2.5	4.8	0.4	12.7	1.42 - 1.83	2
1297	9.8	2.3	6.3	0.6	12.7	1.42 - 1.83	1
1373	10.1	2.5	4.2	0.4	12.7	1.92 - 2.2	2

Dimensions in millimetres

## Hose Clips - CBHC series

P.S.M Canning Brett Hose clips provide a secure clamp for low pressure hose applications.



### Method of Assembly

Squeeze together the two wings of the hose clip and place over end of hose. Push hose clip over connection and release the 'wings'.

### Advantages

- Easily applied
- Low in place cost due to speed of assembly
- Will not damage surface of hose
- Easily removed

### Material

CS60, CS70 carbon steel, austempered.

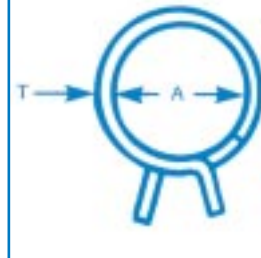
### When specifying please state:

1. Quantity
2. Prefix (CBHC)
3. Part No.
4. Finish code  
e.g. 3000 CBHC-0901-13

Part No.	A Dia	Hose Dia. Range	T	Width
0902	13.6	14.68 - 15.44	0.80	8.0
0570	14.35	14.6 - 15.7	0.71	11.1
0580	15.2	15.1 - 16.8	0.71	11.1
0903	15.1	15.57 - 15.82	0.80	8.0
0901	11.7	13.0 - 13.6	0.80	8.0
0907	13.1	14.27	0.80	8.0
0908	11.0	12.0	0.80	8.0
0909	13.8	14.5	0.51	8.0
0917	15.4	16.30 - 16.49	0.51	8.0
0974	13.0	13.30 - 14.76	0.80	8.0

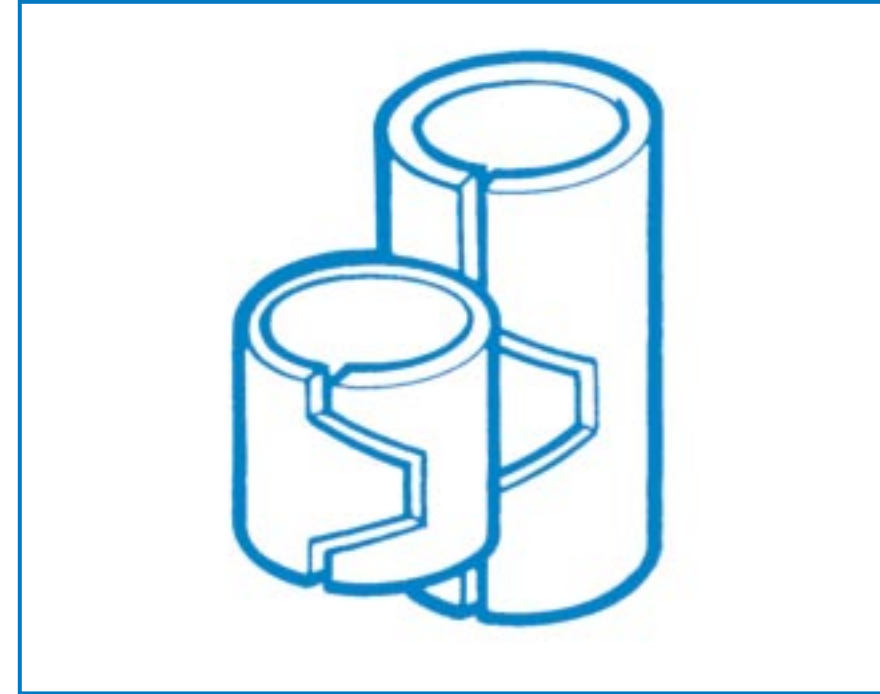
Dimensions in millimetres

### Dimensional data & sizes



## Compression Rings - CBCR series

P.S.M Canning Brett, through its policy of continuing development to meet the needs of a specific market, have now developed one of the most comprehensive ranges of compression rings for the attachment of thermoplastic knobs to split shafts.



### Method of Assembly

Simply push compression ring over split knob end and then push whole assembly over shaft.

### Advantages

- Low cost faster, easier assembly
- Simplify mouldings
- Firm hold, yet easy to remove knob from shaft

### Material

CS60, CS70 carbon steel, austempered.

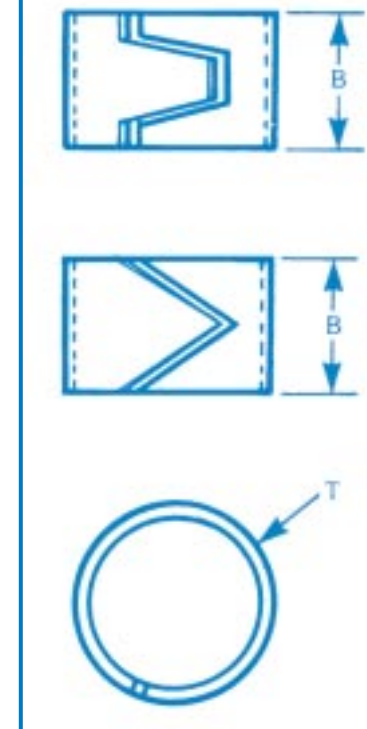
### When specifying please state:

1. Quantity
2. Prefix (CBCR)
3. Part No.
4. Finish code  
e.g. 5000 CBCR-0940-00

Part No.	Hub Dia	B	T
0712	7.9 - 8.1	6.35	0.61
0713	7.9 - 8.1	6.35	0.51
0714	8.74 - 8.86	6.35	0.61
0715	11.1 - 11.2	8.0	0.61
0716	11.1 - 11.2	8.0	0.81
0717	9.5 - 9.7	6.35	0.61
0719	6.4 - 6.5	12.7	0.61
0785	11.05 - 11.18	6.35	0.61
0935	6.35 - 6.48	4.0	0.51
0936	6.35 - 6.48	4.0	0.35
0937	7.98 - 8.07	6.35	0.35
0938	8.74 - 8.87	6.35	0.35
0939	9.53 - 9.66	6.35	0.61
0940	9.53 - 9.66	4.0	0.71
0941	12.85 - 13.00	6.35	0.61
0942	14.20 - 14.35	6.35	0.61
0943	7.11 - 7.24	6.35	0.51
0945	8.74 - 8.87	6.35	0.61
0946	9.53 - 9.66	6.35	0.35
0947	9.53 - 9.66	4.0	0.51
0948	10.24 - 10.37	6.35	0.35
0949	10.40 - 10.53	6.35	0.51
0950	12.70 - 12.85	6.35	0.61
0951	12.70 - 12.85	6.35	0.61
0952	15.82 - 16.00	6.35	0.61
0953	20.6 - 20.8	6.35	0.61
0954	24.57 - 27.74	6.35	0.61
0956	10.24 - 10.37	6.35	0.61
1004	11.05 - 11.18	6.35	0.81
1093	9.56 - 9.66	4.00	0.61
1229	15.85 - 16.00	6.35	0.81
1370	9.5 - 9.7	5.00	0.61

Dimensions in millimetres

### Dimensions data & sizes



## Captar<sup>®</sup> Nut Retainers - CBCC series

In response to engineers' requests for a high strength replaceable machine screw fastener, P.S.M Canning Brett Ltd. engineers have developed a composite range incorporating the renowned P.S.M Fasteners "Minarb".



### Advantages

- No risk of thread splitting or embrittlement
- Thread conforms to relevant British Standard
- Easily replaceable
- Fast assembly

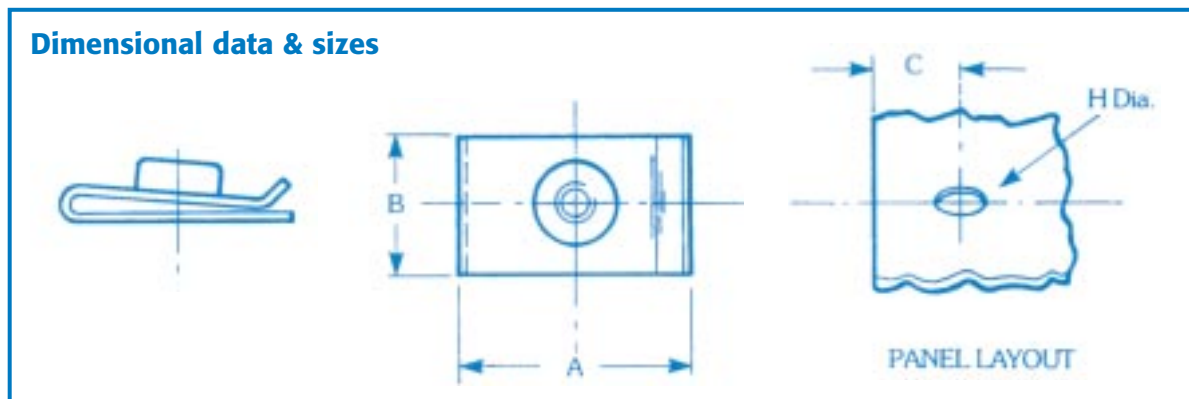
### Material

Low carbon steel

### When specifying please state:

1. Quantity
2. Prefix (CBCC)
3. Part No.
4. Finish code  
e.g. 1000 CBCC-1034-13

### Dimensional data & sizes

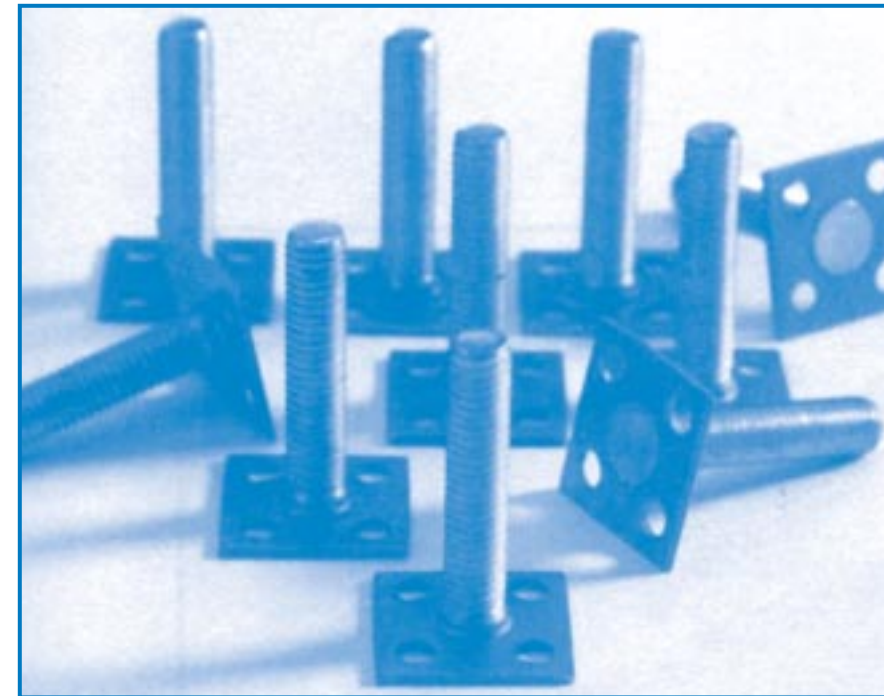


Part No.	Thread Size	A	B	C	H	Panel Range
1034	M6	25.0	15.9	11.5	9.5	2.0 - 2.2
1091	M6	24.5	13.0	12.5	9.0	0.8 - 1.6
1246	M6	24.5	13.5	11.5	9.0	3.0 - 4.0
1247*	M6	27.5	17.0	13.75	9.5	2.5 - 3.5
1262	M6	43.0	13.0	30.8	9.0	0.6 Max

\*With earthing barbs  
Dimensions in millimetres

## Plas-Studs - PL series

P.S.M Canning Brett Plas-Studs - positioned in the plastic panel during the moulding process - provide high strength studded fastenings which allow for easy assembly of components on the production line.



### PL1 Series

For use in panels of 1.0mm minimum thickness

### PL2 Series

For heavier loads and use in panels of 1.5mm minimum thickness

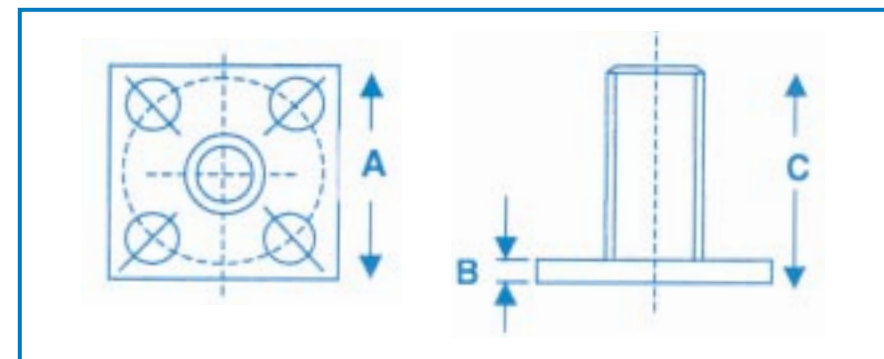
### Material

Mild steel - zinc & clear passivated to BS 3382

### When specifying please state:

1. Quantity
2. Prefix
3. Thread size
4. Stud Length  
e.g. 5000 PL1-M5-16

**N.B.** Dog point studs are also available on certain sizes - details available upon request



Thread Size	Plate Dimensions			Stud Length 'C' Overall									
	'A' Sq.	'B' Sq (PL1)	'B' Sq (PL2)	6	8	10	12	14	16	18	20	25	30
M3	10	1.0	1.5	▲	▲	▲	▲	▲	▲	▲			
M4	15	1.0	1.5			▲	▲	▲	▲	▲	▲	▲	
M5	15	1.0	1.5			▲	▲	▲	▲	▲	▲	▲	▲
M6	20	1.0	1.5			▲	▲	▲	▲	▲	▲	▲	▲

## Special Components

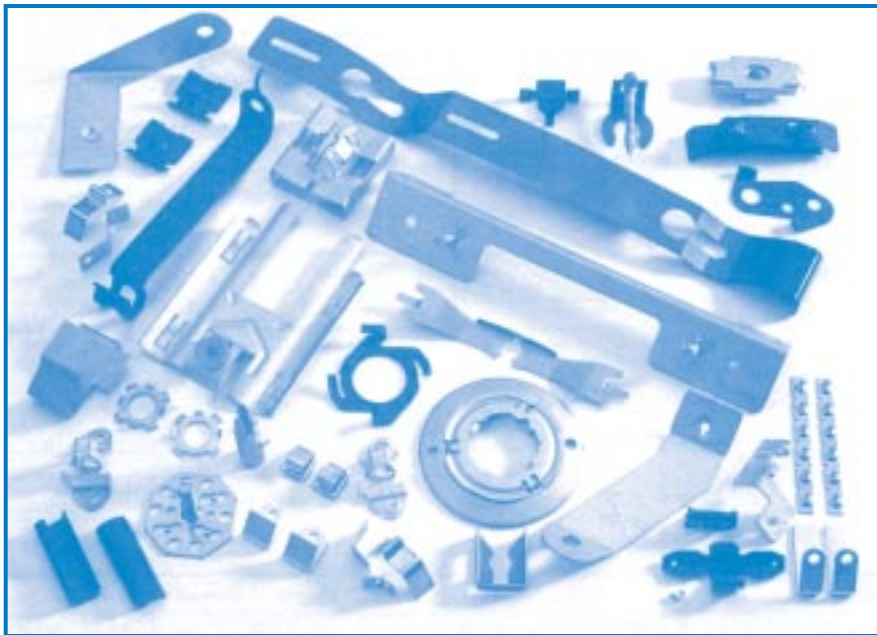
---

From an anti-rattle washer to a mobile phone belt clip, fasteners to cable trunking fixings – every application demands a different mix of spring steel's attributes. Some need more strength than mild steel can provide. Others call for enhanced spring quality, while often, it is a combination of both that is needed.

Whatever the project, PSM will custom design and manufacture spring steel pressings or lightweight moulded plastic products to suit – giving designers of complex parts all the flexibility they could want.

Wherever manufactured goods are made, PSM has local people on hand to provide technical support, advice and application engineering, project management and customer service.

That's the reassurance you get from working with a global organisation dedicated to improving your competitive edge – whether you're using spring steel or any of PSM's family of fastening solutions.



## AUSTRALIA

### P.S.M FASTENERS (PTY) LTD.

159-163 Victoria Road, P.O. Box 1079, St. Peter,  
New South Wales 2204, AUSTRALIA  
Tel: (61) 2 95607244 Fax: (61) 2 95698441

## AUSTRIA

### AVDEL VERBINDUNGSELEMENTE GMBH

Industriestraße B 13/2,  
A-2345 Brunn/Gebirge, AUSTRIA  
Tel: (43) 2236 33273 Fax: (43) 2236 33274

## BELGIUM

### M. SEHER & CO NV

Assesteenweg 117/2, 1740 Ternat, BELGIUM  
Tel: (32) 2521 0600 Fax: (32) 2521 8892

## CHINA

### P.S.M FASTENERS (WUXI) CO. LTD.

Wuxi - Singapore Industrial Park,  
No. 226A & 225C, Xing Chuang, Road 4  
Jiang Su, P R CHINA  
Tel: (86) 510 528 2901 Fax: (86) 510 528 2903

## DENMARK

### SCANFAST APS

Kogevej 206, DK-4000 Roskilde, DENMARK  
Tel: (45) 70 27 00 72 Fax: (45) 70 27 27 32

## EIRE

### APPIAN FASTENER SYSTEMS LTD

Unit 7, Hibernian Industrial Estate,  
Greenhills Road, Tallaght, Dublin 24, EIRE  
Tel: (353) 1452 4266 Fax: (353) 1452 4047

## FINLAND

### WÜRTH ELEKTRONIK

Karhuite 4, 01900 Nurmijärvi FINLAND  
Tel: (358) 9 8789100 Fax: (358) 9 87891038

## FRANCE

### P.S.M FIXATION

25 Rue Paul Langevin, 49243 Avrillé Cedex,  
FRANCE  
Tel: (33) 02 41 22 99 20  
Fax: (33) 02 41 88 14 86

## GERMANY

### P.S.M METALL-UND KUNSTSTOFF -VERBINDUNGSSYSTEME GMBH

Maarweg 233, 50825 Köln, GERMANY  
Tel: (49) 221 4911063  
Fax: (49) 221 4973359

## HONG KONG

### P.S.M FASTENERS (HONG KONG) PTE LTD.

Unit 1908, Westley Square,  
48 Hoi Yuen Road, Kwun Tong, Kowloon,  
HONG KONG  
Tel: (852) 2652 5051 Fax: (852) 2652 5056

## ITALY

### P.S.M CELADA FASTENERS S.R.L.

Via Porpora 24, 20131 Milano, ITALY  
Tel: (39) 02 29400630 Fax: (39) 02 29514888

## JAPAN

### JAPAN P.S.M CO. LTD.

8 Denenchofu Minami, OHTA,  
Tokyo 145 JAPAN  
Tel: (81) 3 3756 7227 Fax: (81) 3 3750 2200

## NETHERLANDS

### M. SEHER & CO BV

Postbus 190, 2900 AD Capelle a/d IJssel,  
HOLLAND  
Tel: (31) 10 2580888 Fax: (31) 10 2580899

## BEVAR

P.O. Box 935,  
NL-3900 AX Veenendaal, Einsteinstraat 32,  
NL-3902 HN Veenendaal, HOLLAND  
Tel: (31) 318 547310 Fax: (31) 318 547333

## NEW ZEALAND

### HYLTON PARK FASTENERS

117 Wrights Road, Addington, P.O. Box 8191  
Christchurch, NEW ZEALAND  
Tel: (64) 3 338 8825 Fax: (64) 3 338 8938

## NORWAY

### TORP FASTENERS

Borggaten 1, P.O. Box 2953, Toyen 0608,  
Oslo, NORWAY  
Tel: (47) 22 681530 Fax: (47) 22 199127

## SINGAPORE

### P.S.M FASTENER (SINGAPORE) PTE LTD.

100E Pasir Panjang Road,  
#04-05 Century Warehouse,  
SINGAPORE 118521  
Tel: (65) 62788 141 Fax: (65) 62788 142

## SPAIN

### FIJACIONES INDUSTRIALES P.S.M S.A.

FF.CC.138, Poligono Ind. Almeda,  
08940 Cornellà, Barcelona, SPAIN  
Tel: (34) 93 474 07 07 Fax: (34) 93 474 11 97

## SWEDEN

### P.S.M FASTENERS AB

P.O. Box 550 175 26 Jarfalla, SWEDEN  
Tel: (46) 828 2815 Fax: (46) 829 1414

## SWITZERLAND

### BOSSARD SCHRAUBEN AG

Steinhauserstrasse 70, CH 6300 ZUG,  
SWITZERLAND  
Tel: (41) 41 749 6331 Fax: (41) 41 749 6011

## TAIWAN

### P.S.M FASTENERS (TAIWAN) LTD

No. 21 Alley 20 Lane 365, Fu-Te First Road,  
Shih-Chih, Taipei, TAIWAN R.O.C.  
Tel: (886) 2 694 6229 Fax: (886) 2 694 4976

## UNITED KINGDOM

### P.S.M INTERNATIONAL

Longacres, Willenhall,  
West Midlands WV13 2JS, ENGLAND  
Tel: (44) 1902 600000 Fax: (44) 1902 600073

### P.S.M INTERNATIONAL SCOTLAND

Unit 4, Alpha Centre, Rothsay Dock,  
Clydebank, Strathclyde, G81 1YP, SCOTLAND  
Tel: (44) 141 951 1626 Fax: (44) 141 951 1627

### APPIAN FASTENERS LTD

No. 40 The Cutts, Derrigahy, Dunmurry,  
Belfast BT17 9HS, N. IRELAND  
Tel: (44) 1232 301972/301979  
Fax: (44) 1232 622794

### CANNING BRETT

Pontardawe Industrial Estate, Pontardawe,  
Swansea, Glamorgan SA8 4EP, WALES  
Tel: (44) 1792 863972 Fax: (44) 1792 830168

### Automated Assembly Equipment

### P.S.M MULTI AUTOMATION

72 Arthur Street, Lakeside, Redditch,  
Worcestershire B98 8JY, ENGLAND  
Tel: (44) 1527 516342 Fax: (44) 1527 516343

### JET PRESS LTD

Nunn Close, Huthwaite,  
Nottinghamshire NG17 2HW ENGLAND  
Tel: (44) 1623 551800 Fax: (44) 1623 551175

## USA

### P.S.M FASTENER CORPORATION

12223 C.R. Koon Highway, 76 Newberry,  
South Carolina 29108, U.S.A.  
Tel: (1) 803 321 1300 Fax: (1) 803 364 7377



P.S.M INTERNATIONAL  
Longacres, Willenhall WV13 2JS, ENGLAND  
Tel: +44 (0) 1902 600000 Fax: +44 (0) 1902 600073  
www.psminternational.com e-mail: info@psminternational.com