

**FLO-TECH** is a blind ended threaded insert which has been introduced to meet the needs of those moulders who, for a variety of reasons, prefer to mould-in. The unique design of three opposed helical knurl bands combined with the included recesses give extremely high levels of performance in both pull-out and torque tests.

## ADVANTAGES

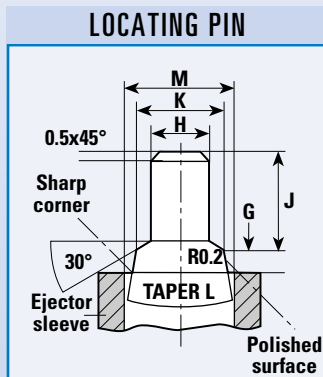
- **BLIND ENDED** - PREVENTS INGRESS OF PLASTIC
- **COUNTERBORE** PREVENTS INGRESS OF PLASTIC AND EASES ASSEMBLY ON LOCATING PINS
- **ROLLED THREADS** REDUCE RISK OF CONTAMINATION OF MOULDINGS DUE TO METAL SWarf
- **ABSENCE OF 'PIP'** AT BLIND END REDUCES RISK OF CONTAMINATION AND ASSISTS AUTOMATIC INSERT LOADERS
- **UNIQUE DESIGN** ENSURES HIGH LEVELS OF PERFORMANCE



## DESIGN GUIDE

Flo-Tech inserts can be installed after moulding in some applications - please consult the P.S.M Technology Centre or your local Sales Office for further advice.

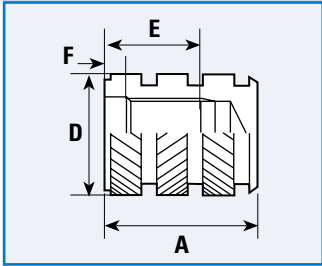
Mould pin design is critical to the success of the moulding-in operation since the features shown are used to locate and retain the insert prior to moulding and prevent the ingress of plastic during the process.



## DIMENSIONS - LOCATING PIN

TO SUIT	G	H	J	K	L	M
THREAD	-020	-025	-100	-0125	Inclusive	
SIZE	+040	+000	+100	+0125		
ISO Metric	mm	mm	mm	mm	degrees	mm
2	0.80	1.55	2.65	2.300	6	3.00
2.5	0.90	2.00	3.00	2.800	5	3.50
3	1.05	2.45	3.40	3.125	4.5	4.00
3.5	1.30	2.85	4.55	3.750	4.5	4.70
4	1.55	3.25	5.00	4.425	4.5	5.40
5	1.70	4.15	5.55	5.125	5	6.00
6	1.80	4.95	6.15	6.600	5.5	8.00
8	2.00	6.70	9.00	8.500	6	10.00
10	2.10	8.40	9.70	10.500	6	12.00

## INSERTS



Product Code FTC

**STANDARD MATERIAL** - Brass (B) - Other materials possible on quotation

## DIMENSIONS

INTERNAL THREAD SIZES		A	D	E Min	F
Unified	ISO Metric	mm	mm	mm	mm
2	2	5.5	3.4	3.6	1.0
-	2.5	6.4	4.3	4.0	1.2
4	3	7.3	4.7	4.6	1.3
6	3.5	9.2	5.5	6.0	1.6
8	4	10.2	6.3	6.7	1.8
10	5	11.2	7.3	7.4	2.0
1/4	6	14.4	9.8	8.1	2.0
5/16	8	16.5	11.4	11.1	2.3
3/8	10	17.9	13.8	11.9	2.4

Special variations are often possible - contact PSM for further information.

## HOW TO SPECIFY

### INSERTS

PRODUCT CODE	FTC-B-M3
MATERIAL	FTC-B-M3
THREAD SIZE	FTC-B-M3